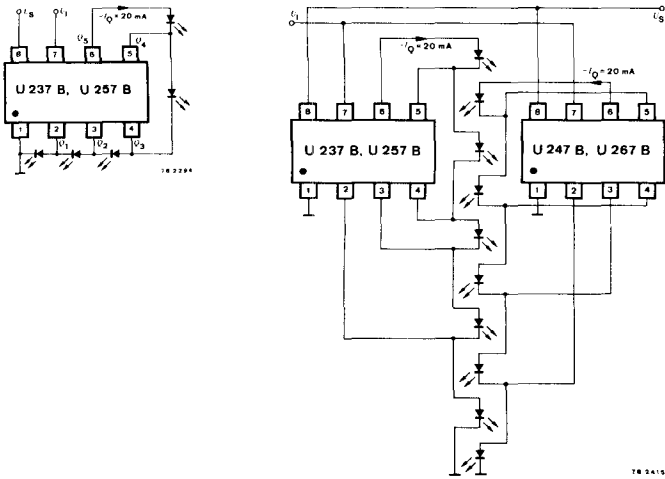


Integrated Trigger, Sensor and remote control circuits

U 237 B · U 247 B · U 257 B · U 267 B

Driver for LED displays with 5 or 10 diodes

Supply voltage range	Pin 8	U_S	12...25	V
Output current (in series)	Pin 6	I_Q	20	mA
Input threshold distance	Pin 7	ΔU_I	$\leq \pm 30$	mV



Features:

- Wide supply voltage range
- High LED current
- Low power dissipation due to series connection of LED's
- Different colour LED's can be connected arbitrary
- No peripheral components are necessary
- High input resistance
- Eligible between:
 - 5 LED's line with linear scale division with U 237 B or U 247 B
 - 5 LED's line with logarithmic scale division with U 257 B or U 267 B
 - 10 LED's line with linear scale division with U 237 B and U 247 B
 - 10 LED's line with logarithmic scale division with U 257 B and U 267 B

Case:

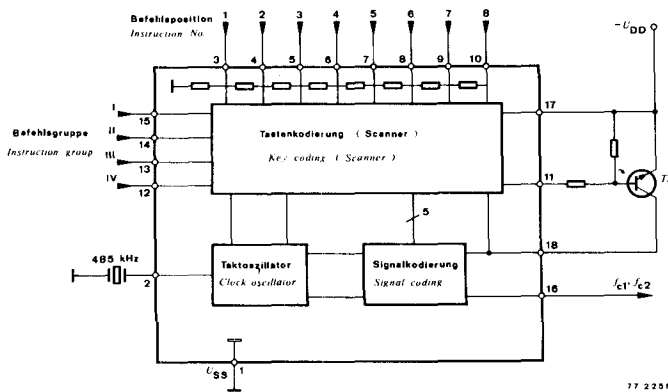
20 A 8 DIN 41 866
DIP 8-lead
Dimensions see page 60
Number 12

U 321 M, U 318 M

IR remote control for TV receivers

U 321 M – Senderschaltung

Supply voltage range	U_S	6.2...10	V
Quiescent supply current	I_{SB}	< 10	μA



Features:

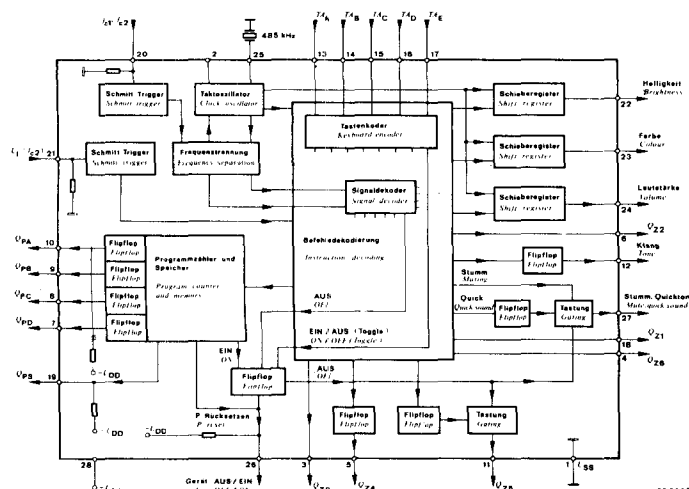
- 32 commands
- High transmission reliability by two carrier frequencies
- Minimum numbers of external components

Case:

20 A 18 DIN 41 866
DIP 18-lead
Dimensions see page 60
Number 10

U 318 M – Receiver

Supply voltage range	$-U_{DD}$	11...13	V
Supply current	I_S	20	mA



Features:

- High transmission reliability by two carrier frequencies
- Integrated separation circuit for the two carriers
- Minimum number of external components

Case:

20 B 28 DIN 41 866
DIP 28-lead
Dimensions see page 60
Number 10